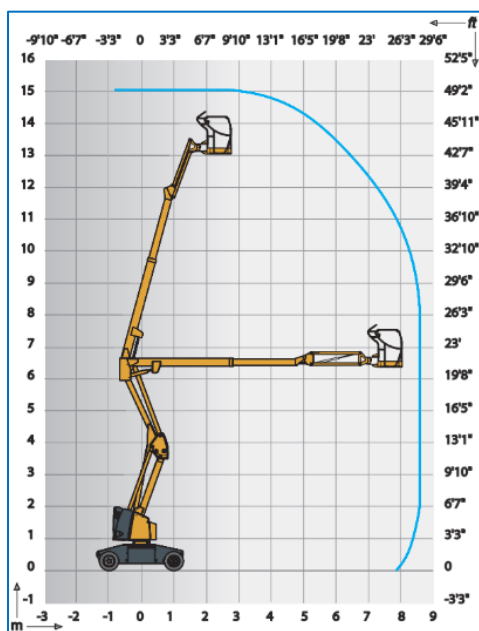




Features

- Self Driving
- Fourwheel Drive
- With JIB
- Articulated Platform
- Pendulum Axle
- Mobile on full height

15m Electrical Articulated platform Haulotte Type: HA15 IP




Technical Data

Maximum working height	14,87 m
Maximum lateral reach	8,65 m
Maximum basket load	230 kg
Maximum stamp width	n.v.t.
Maximum lenght	6,65 m
Machine width	1,52 m
Machine height	2,10 m
Total weight	7230 kg
Dimensions basket (LxW)	1,15 x 0,80
Rotation basket	130°
Propulsion	Electric
JIB	Yes
Tyre Type	Non-marking

MA-BO Hoogwerkers BV

 www.ma-bo.info

 0316-745613

 planning@ma-bo.info

 Hengelderweg 8a, 6942 NC, Didam