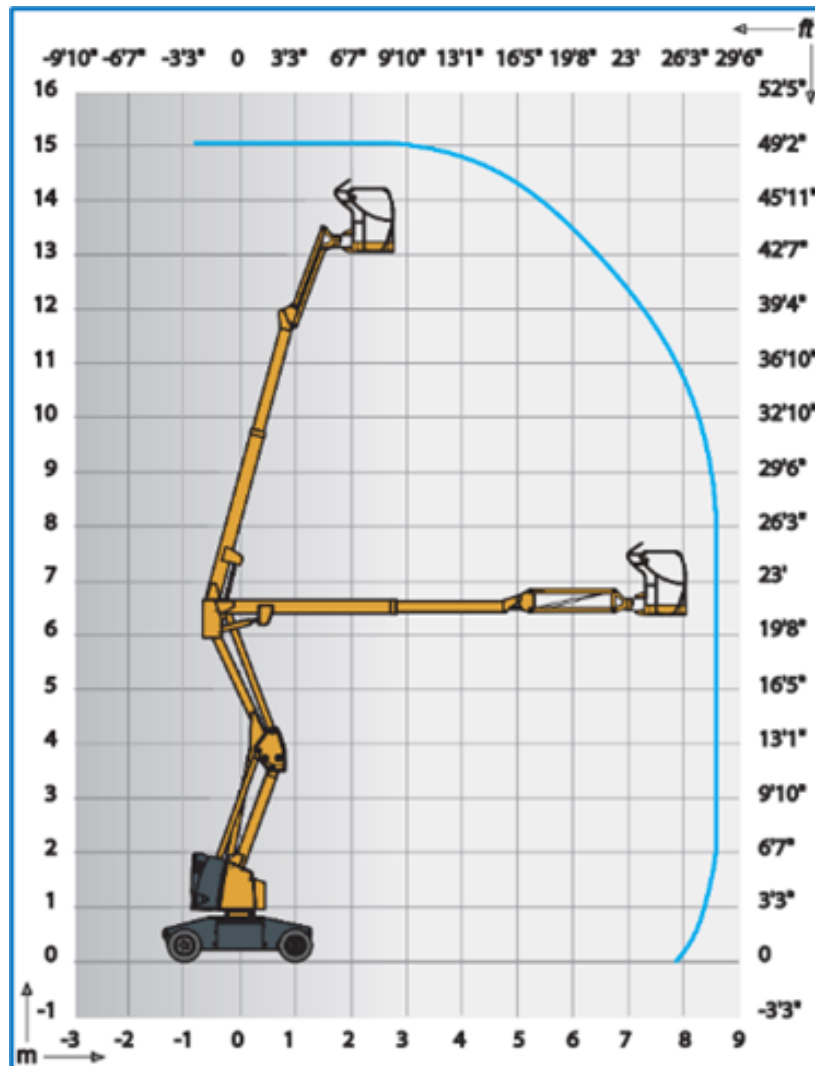






## 15m Electric Articulated Boom Lift Haulotte Type: HA15 IP

### Workdiagram (Siteview)



### MA-BO Hoogwerkers BV

 [www.ma-bo.info](http://www.ma-bo.info)  
 0316-745613  
 [planning@ma-bo.info](mailto:planning@ma-bo.info)  
 Hengelderweg 8a, 6942 NC, Didam