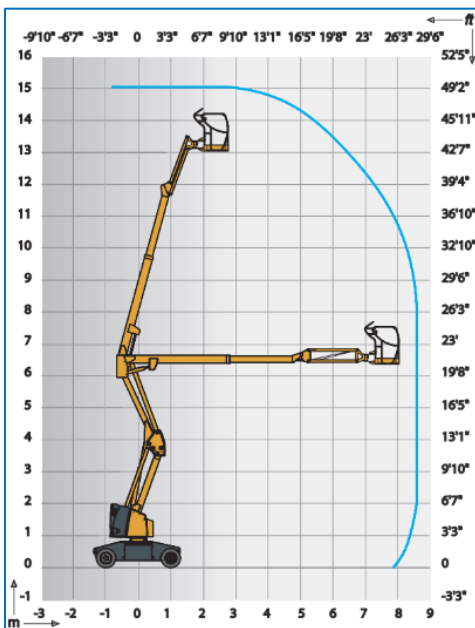




### Features

- Self Driving
- Four wheel Drive
- With JIB
- Articulated Platform
- Pendulum Axle
- Mobile on full height

## 12m Electric Articulated Boom Lift Haulotte Type: HA12 CJ




### Technical Data

Maximum working height	11.7 m
Maximum lateral reach	7,00 m
Maximum basket load	250 kg
Maximum stamp width	n.a.
Maximum lenght	3,86 m
Machine width	1,20 m
Machine height	2,22 m
Total weight	6970 kg
Dimensions basket (LxW)	1,15 x 0,80
Rotation basket	180°
Propulsion	Electric
JIB	Yes
Tyre Type	Non-Marking

### MA-BO Hoogwerkers BV

 [www.ma-bo.info](http://www.ma-bo.info)

 0316-745613

 [planning@ma-bo.info](mailto:planning@ma-bo.info)

 Hengelderweg 8a, 6942 NC, Didam