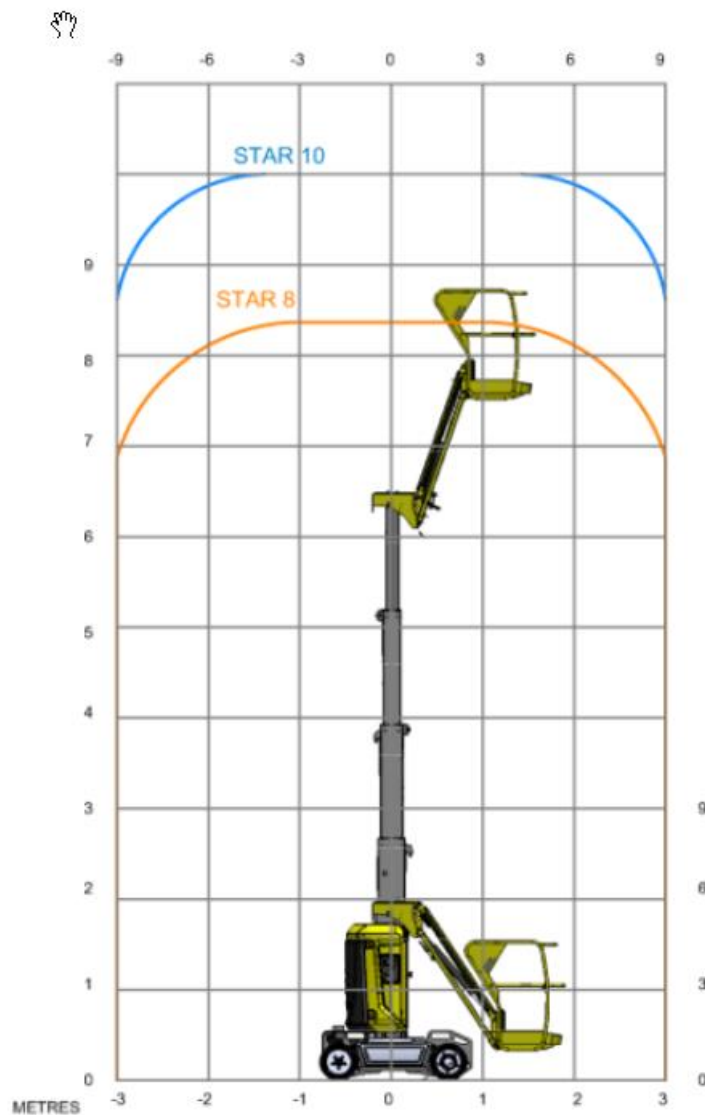



16m Electric Telescopic Mast Aerial Platform Haulotte: STAR 10

Workdiagram (Sideview)




MA-BO Hoogwerkers BV

 www.ma-bo.info

 0316-745613

 planning@ma-bo.info

 Hengelderweg 8a, 6942 NC, Didam