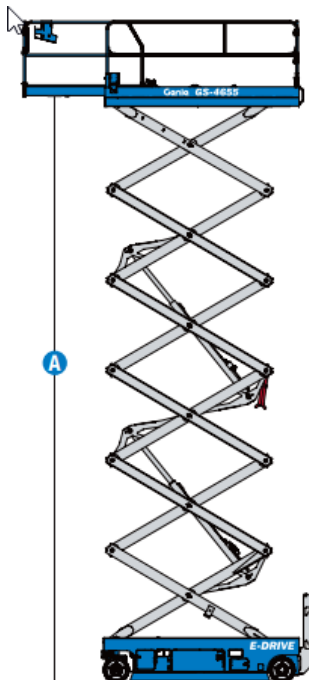




### Features

- Self Driving
- Compact design
- Mobile on full height
- Userfriendly
- Electric propulsion

## 16m Electric Scissor Aerial Work Platform Type: Genie GS 4655E



### Technical Data

Maximum working height	15,95 m
Maximum lateral reach	n.a.
Maximum basket load	350 kg
Maximum stamp width	n.a.
Machine length	3,11 m
Machine width	1,41 m
Machine height	2,77 m
Total weight	3.701 kg
Dimensions basket (l x b)	2,84 x 1,35
Rotation basket	n.a.
Propulsion	Electric
JIB	No
Tyre Type	Non marking

### MA-BO Hoogwerkers BV

- 🌐 [www.ma-bo.info](http://www.ma-bo.info)
- ☎ 0316-745613
- ✉ [planning@ma-bo.info](mailto:planning@ma-bo.info)
- 📍 Hengelderweg 8a, 6942 NC, Didam