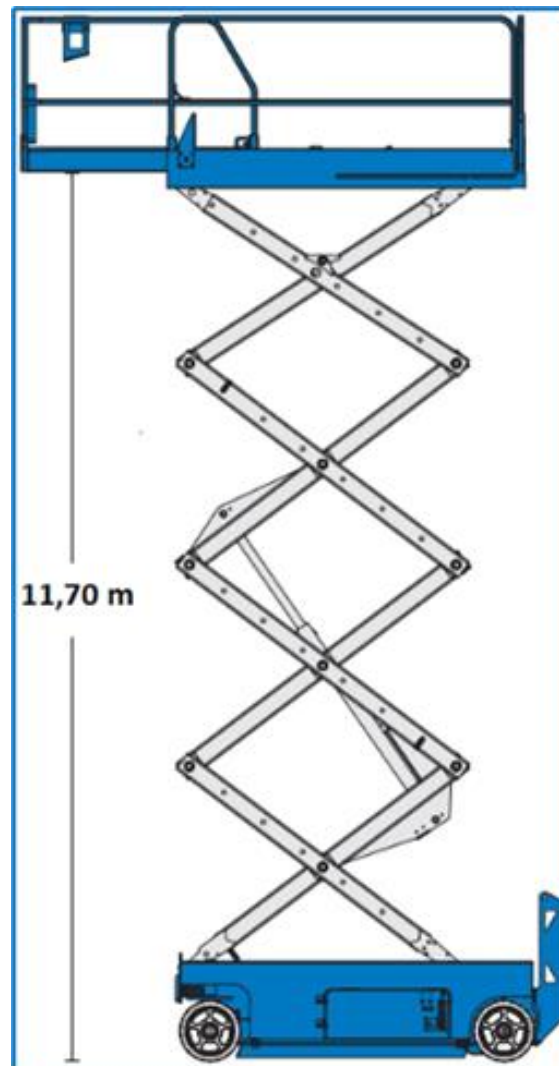






## 14m Electric Scissors Aerial Platform Genie Type: GS-4047

### Workdiagram (Sideview)



### MA-BO Hoogwerkers BV

-  [www.ma-bo.info](http://www.ma-bo.info)
-  0316-745613
-  [planning@ma-bo.info](mailto:planning@ma-bo.info)
-  Hengelderweg 8a, 6942 NC, Didam