



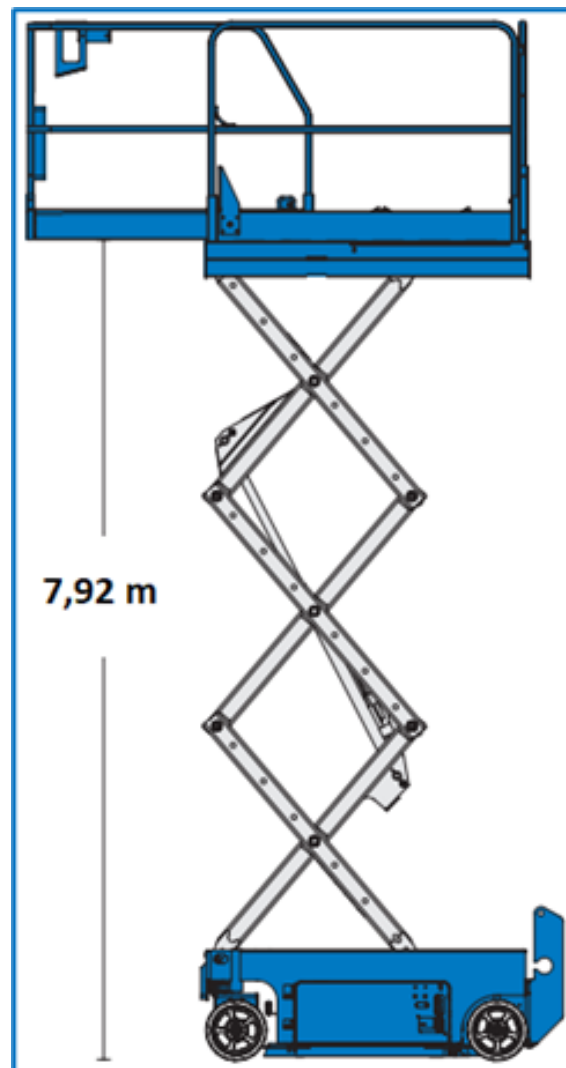
**MA-BO**.info

rental - sales - service



## 10m Electric Scissor Aerial Platform Type: GS-2632

### Workdiagram (Siteview)



### MA-BO Hoogwerkers BV

 [www.ma-bo.info](http://www.ma-bo.info)

 0316-745613

 [planning@ma-bo.info](mailto:planning@ma-bo.info)

 Hengelderweg 8a, 6942 NC, Didam