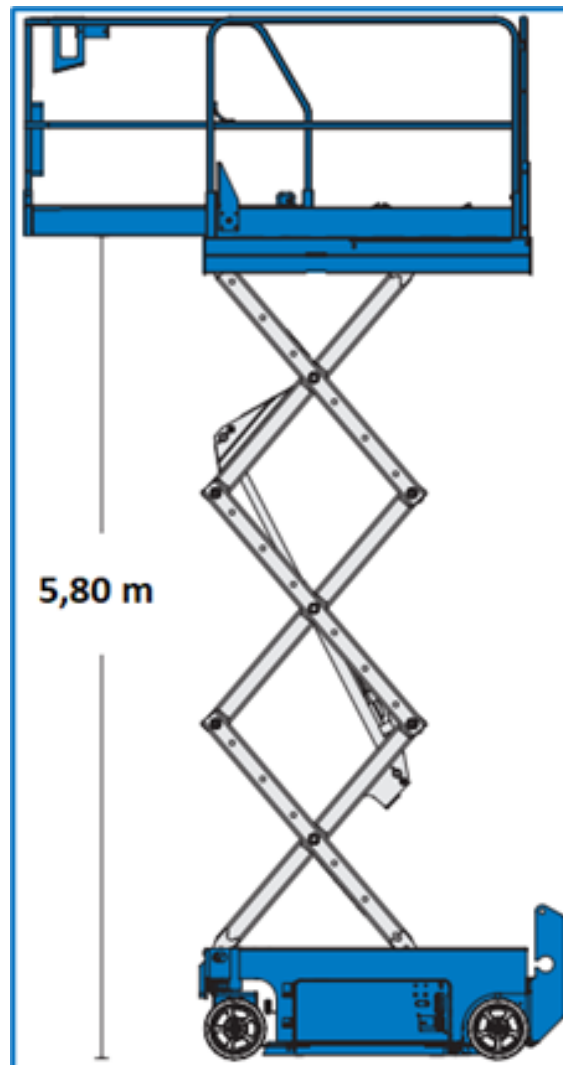






8m Electric Scissor Aerial Work Platform smal Type: GS-1930

Workdiagram (Siteview)



MA-BO Hoogwerkers BV

-  www.ma-bo.info
-  0316-745613
-  planning@ma-bo.info
-  Hengelderweg 8a, 6942 NC, Didam