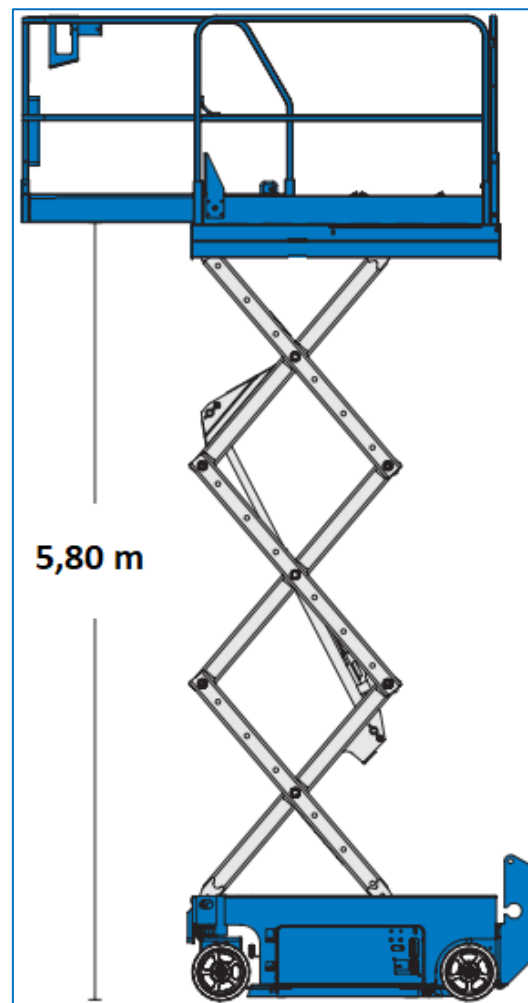


8m Electric Scissor Aerial Work Platform Type: GS-1932

Workdiagram (Siteview)



MA-BO Hoogwerkers BV

 www.ma-bo.info

 0316-745613

 planning@ma-bo.info

 Hengelderweg 8a, 6942 NC, Didam